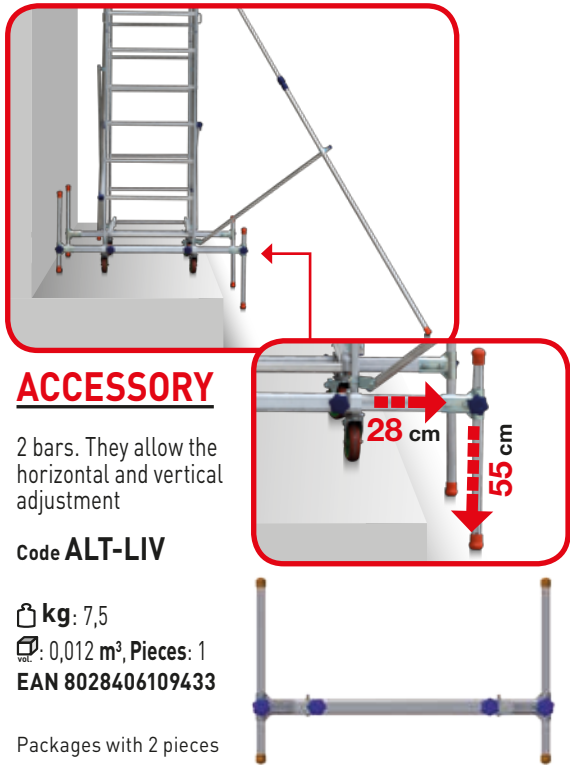




- Aluminium scaffolding provided with 4 castors with brake.
- 3 different sizes:
 - Total Height: 2,05 m = Working height: 3,00 m
 - Total Height: 4,10 m = Working height: 4,80 m
 - Total Height: 6,20 m = Working height: 6,90 m
- 4 telescopic stabilisers
- Immediate connection between diagonals and stiles through the expansion fastening system, operated by long levers
- Horizontals are equipped with safety hooks which assure a strong fastening. Very easy to use.



ACCESSORY

2 bars. They allow the horizontal and vertical adjustment

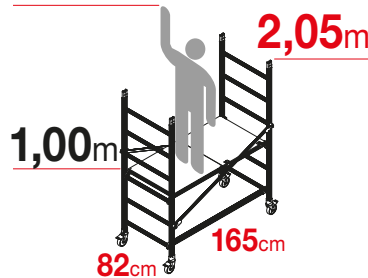
Code **ALT-LIV**

kg: 7,5
vol: 0,012 m³, Pieces: 1
EAN 8028406109433

Packages with 2 pieces

BALLASTS AND WALL ANCHORING AREN'T NECESSARY

3,00m



MODULE 1

2x6-rung ladder frame with castors
2 diagonals
2 base horizontal braxces
1 platform with trapdoor



AUTO 205
(MODULE 1)

Code **M1** kg: 31 vol: 0,26 m³ Pieces: 1
EAN 8028406109396

4,80m



MODULE 2

Code **M2**
2X7-rung ladder frame
2 diagonals
6 horizontal braces
4 telescopic stabilisers
1 toe board

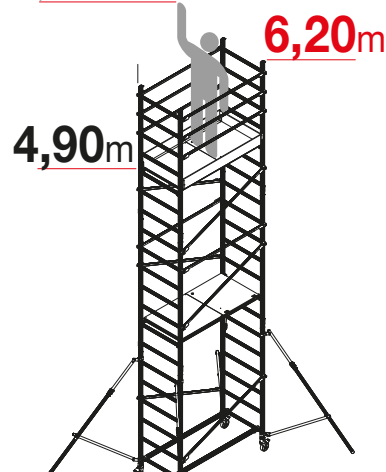
kg: 35
vol: 0,34 m³, Pieces: 1
EAN 8028406109402



AUTO 410
(MODULE 1 + MODULE 2)

Code **AL410** kg: 62 vol: 0,60 m³ Pieces: 2
EAN 8028406109426

6,90m



MODULE 3

Code **M3**
2X7-rung ladder frame
2 diagonals
2 horizontal braces
1 platform with trapdoor

kg: 24
vol: 0,34 m³, Pieces: 1
EAN 8028406109419



AUTO 620
(MODULE 1 + MODULE 2 + MODULE 3)

Code **AL620** kg: 86 vol: 0,94 m³ Pieces: 3
EAN 8028406109389



Platform with non-slip and waterproof surface.
Melamine Eurodeck wood.
Certificate:



It means: FSC Norm - Environment respect

Exclusive: folding toe board.
1 piece only

CLASSE 3200 kg/m²: EN 1004
200
kg
MAX
Max. load on
one platform

EN1004
EUROPEAN NORM
BASE:

82x165 cm

STRUCTURE:

75x155 cm

PLATFORM:

68x141 cm

**QUICK
ASSEMBLY!!**
 Ready to use.
No other piece to
assemble.
